

ILP Electronics is one of the world's leading manufacturers of toroidal transformers.

The Company's standard range has been carefully selected to offer ratings widely used in today's electronics industry.

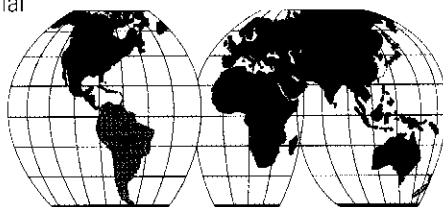
Each transformer has two independent primary windings for 240 or 120 volt operation and two independent secondary windings, which may also be connected in series or parallel, to give a wide range of output voltage and current options. Also available are single secondary, 110, 220 and 240 volt isolation transformers.

For those applications where the standard product is not appropriate, ILP offer a full custom design service and provide special types to meet customer specifications.

The toroidal transformer has the theoretically ideal shape for producing a transformer with the minimum of material.

The high efficiency, which is obtained with this type of transformer, enables it to be conservatively rated without incurring size or weight penalties.

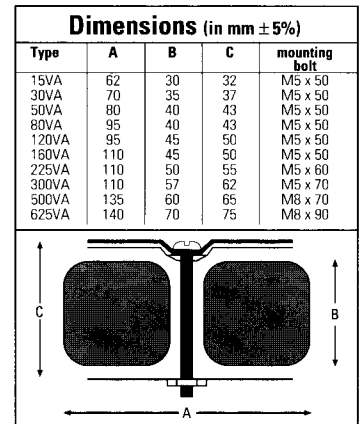
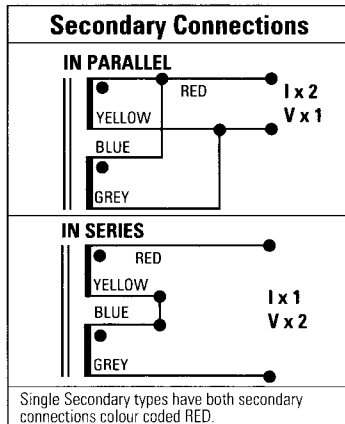
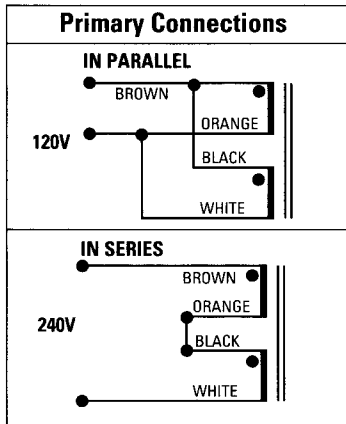
There are no loose laminations or air gaps in the toroid design which, together with the virtual absence of any external magnetic field, makes ILP's toroidal transformers particularly suitable for those applications where electrical and mechanical noise must be kept to a minimum.



ILP's high quality and competitively priced toroid transformers are suitable for all types of electronic equipment and are sold throughout the world via our network of distributors and representatives.

# STANDARD RANGE

TYPE	PART No.	SECONDARY VOLTAGE	RMS CURRENT	TYPE	PART No.	SECONDARY VOLTAGE	RMS CURRENT
<b>15VA</b> Regulation 19% Weight 0.35kg	03010	6+6	1.25	<b>30VA</b> Regulation 18% Weight 0.5kg	13010	6+6	2.50
	03011	9+9	0.83		13011	9+9	1.66
	03012	12+12	0.63		13012	12+12	1.25
	03013	15+15	0.50		13013	15+15	1.00
	03014	18+18	0.42		13014	18+18	0.83
	03015	22+22	0.34		13015	22+22	0.68
	03016	25+25	0.30		13016	25+25	0.60
03017	30+30	0.25	13017	30+30	0.50		
<b>50VA</b> Regulation 13% Weight 0.85kg	23010	6+6	4.16	<b>80VA</b> Regulation 12% Weight 1.0kg	33010	6+6	6.66
	23011	9+9	2.77		33011	9+9	4.44
	23012	12+12	2.08		33012	12+12	3.33
	23013	15+15	1.66		33013	15+15	2.66
	23014	18+18	1.38		33014	18+18	2.22
	23015	22+22	1.13		33015	22+22	1.81
	23016	25+25	1.00		33016	25+25	1.60
	23017	30+30	0.83		33017	30+30	1.33
	23028	110	0.45		33028	110	0.72
	23029	220	0.22		33029	220	0.36
	23030	240	0.20		33030	240	0.33
<b>120VA</b> Regulation 11% Weight 1.35kg	43010	6+6	10.00	<b>160VA</b> Regulation 8% Weight 2.0kg	53011	9+9	8.89
	43011	9+9	6.66		53012	12+12	6.66
	43012	12+12	5.00		53013	15+15	5.33
	43013	15+15	4.00		53014	18+18	4.44
	43014	18+18	3.33		53015	22+22	3.63
	43027	20+20	3.00		53016	25+25	3.20
	43015	22+22	2.72		53017	30+30	2.66
	43016	25+25	2.40		53018	35+35	2.28
	43017	30+30	2.00		53025	40+40	2.00
	43018	35+35	1.71		53028	110	1.45
	43028	110	1.09		53029	220	0.72
	43029	220	0.54		53030	240	0.66
	43030	240	0.50				
<b>225VA</b> Regulation 7% Weight 2.4kg	63012	12+12	9.38	<b>300VA</b> Regulation 6% Weight 2.6kg	73013	15+15	10.00
	63013	15+15	7.50		73014	18+18	8.33
	63014	18+18	6.25		73015	22+22	6.82
	63015	22+22	5.11		73016	25+25	6.00
	63016	25+25	4.50		73017	30+30	5.00
	63017	30+30	3.75		73018	35+35	4.28
	63018	35+35	3.21		73026	40+40	3.75
	63026	40+40	2.81		73025	45+45	3.33
	63025	45+45	2.50		73033	50+50	3.00
	63033	50+50	2.25		73028	110	2.72
	63028	110	2.94		73029	220	1.36
	63029	220	1.02		73030	240	1.25
	63030	240	0.93				
<b>500VA</b> Regulation 5% Weight 4.6kg	83016	25+25	10.00	<b>625VA</b> Regulation 4% Weight 5.3kg	93017	30+30	10.41
	83017	30+30	8.33		93018	35+35	8.92
	83018	35+35	7.14		93026	40+40	7.81
	83026	40+40	6.25		93025	45+45	6.94
	83025	45+45	5.55		93033	50+50	6.25
	83033	50+50	5.00		93042	55+55	5.68
	83042	55+55	4.54		93028	110	5.68
	83028	110	4.54		93029	220	2.84
	83029	220	2.27		93030	240	2.60
	83030	240	2.08				



**General Specification (Standard Range)**

Primary Voltage: 120 + 120 volts @ 50/60 Hz  
 Primary-Secondary Isolation: >4kV (Triple insulated to IEC742)  
 Overall Insulation category: Class A 105°C max  
 Secondary-Secondary Isolation: 500v AC  
 Secondary Voltage tolerance: 5%  
 Maximum ambient temperature: 40°C  
 Connections: 200mm, pvc sleeved, stripped and tinned  
 Transformers are manufactured in accordance with BS415 and IEC65.  
 All weights are nominal figures including mounting kit.

**Installation**

The mounting kit supplied with each transformer allows easy mounting to a chassis by placing a neoprene, washer above and below the transformer and bolting the dished washer down firmly, but not over tight, on top.  
 On no account should both ends of the fixing bolt simultaneously come into contact with a metal chassis or framework as this would act as a shorted turn and will damage the transformer.

**Options**

For alternative primary windings, for example, 110 + 110, contact the Sales Office.  
 A full custom design service is also available.

**Ref ST0991**

**DISTRIBUTED BY:-**